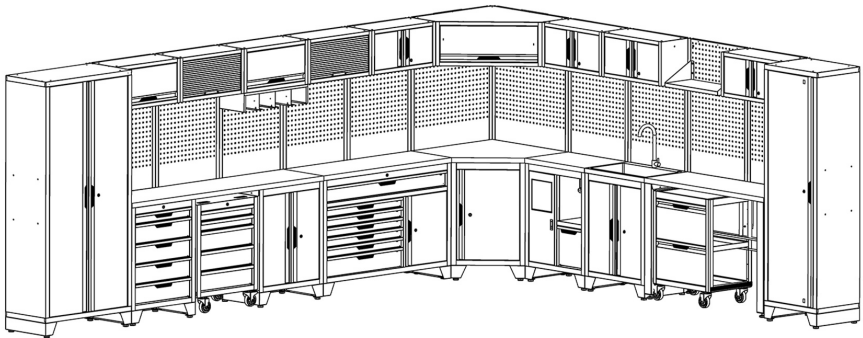


SGS Garage System

OWNER'S MANUAL

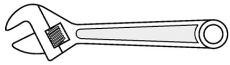


Note: This manual contains information and instructions for all components available in this system. Please locate and follow the instructions for the components specific to your own setup.

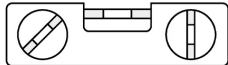
FOR YOUR SAFETY
PLEASE READ THESE INSTRUCTIONS CAREFULLY
AND RETAIN THEM FOR FUTURE USE.



Tools Required



Adjustable wrench



Magnetic Leveler



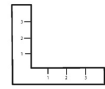
Tape Measure



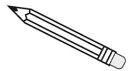
Socket driver wrench



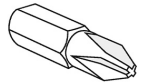
socket



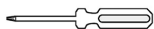
Set Square



Pencil



Phillips Bit



Phillips head screw driver

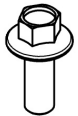


Cordless Power Drill



Masonry Bit

Fasteners



Hex Bolt (M6x16)



Nut (M6)



Plastic Pin



Hex Bolt (M8x16)



Washer (D8)



Spring Washer (D8)

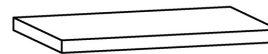


Wood Screw (ST6x16)

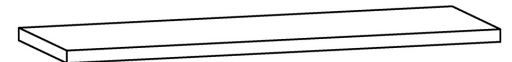


Sunk Screw (M6x16)

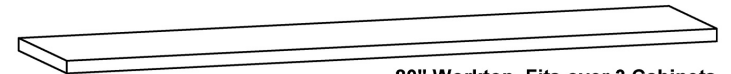
Worktops



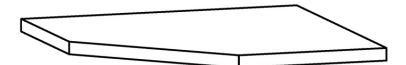
26" Worktop. Fits over 1 Cabinet



53" Worktop. Fits over 2 Cabinets

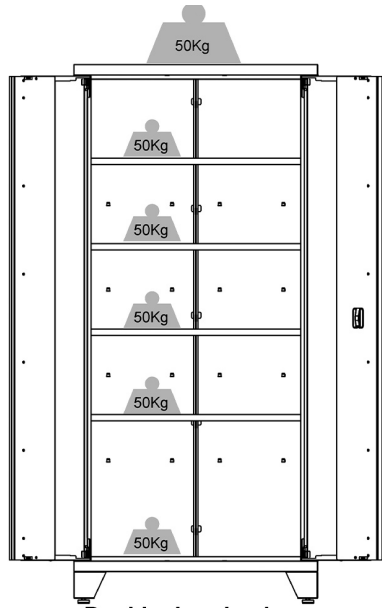


80" Worktop. Fits over 3 Cabinets

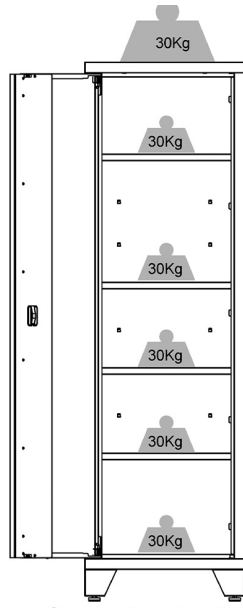


Corner Worktop

Weight Capacity



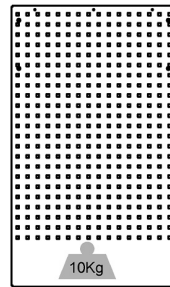
**Double-door Locker
Max 300Kg**



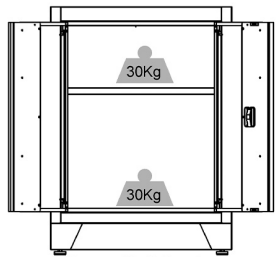
**Single-door Locker
Max 180Kg**



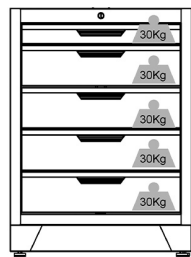
**Wall Cabinet
Max 15Kg**



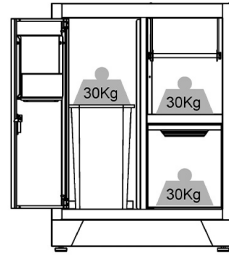
**Hanging Panel
Max 10Kg**



**Base Cabinet
Max 60Kg**



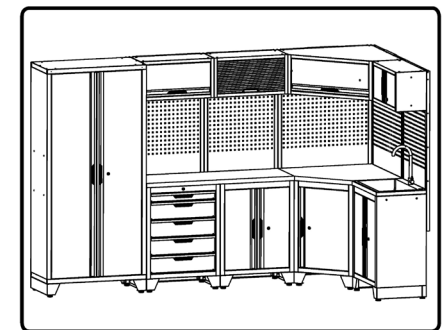
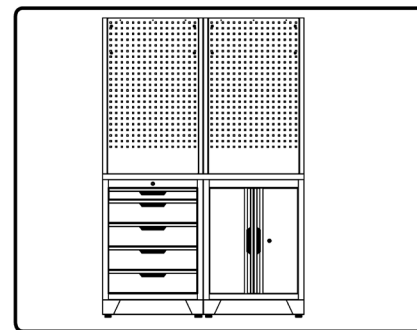
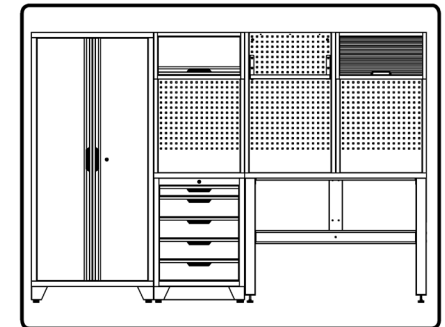
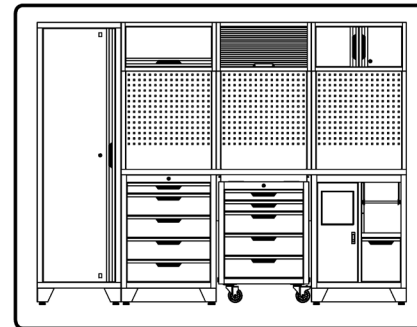
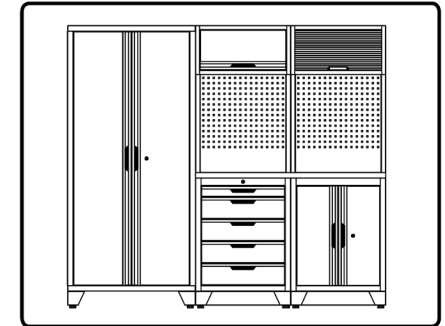
**Drawer Cabinet
Max 150Kg**



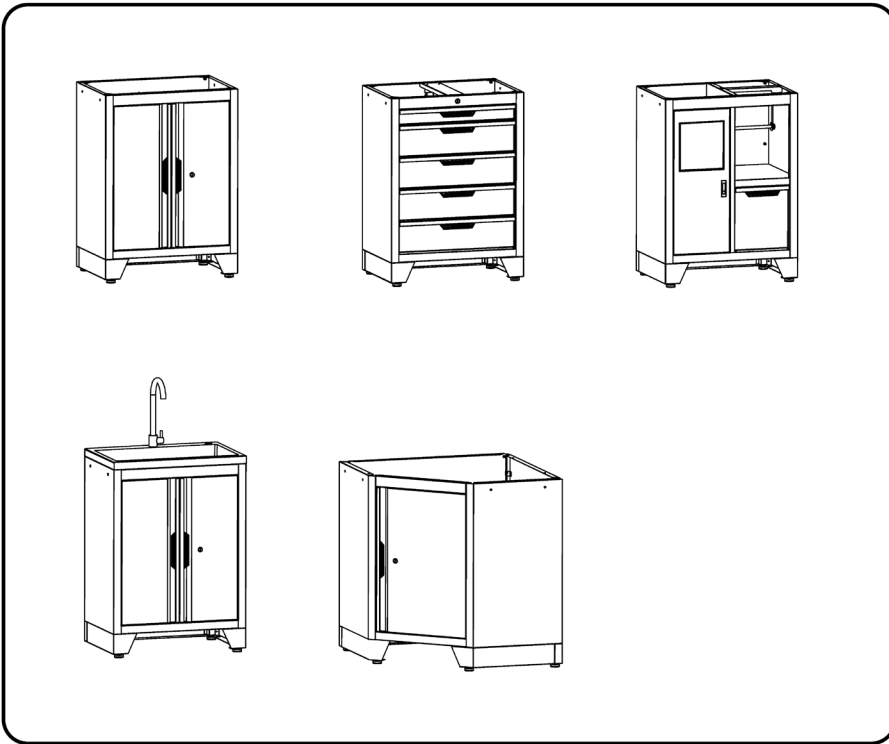
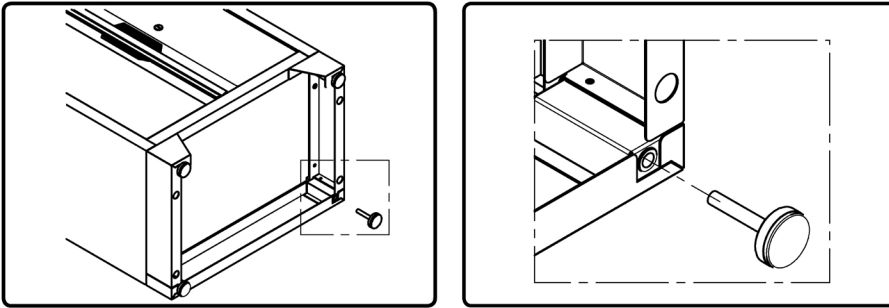
**Trash Bin Cabinet
Max 90Kg**

i Important information: Please read before beginning installation.

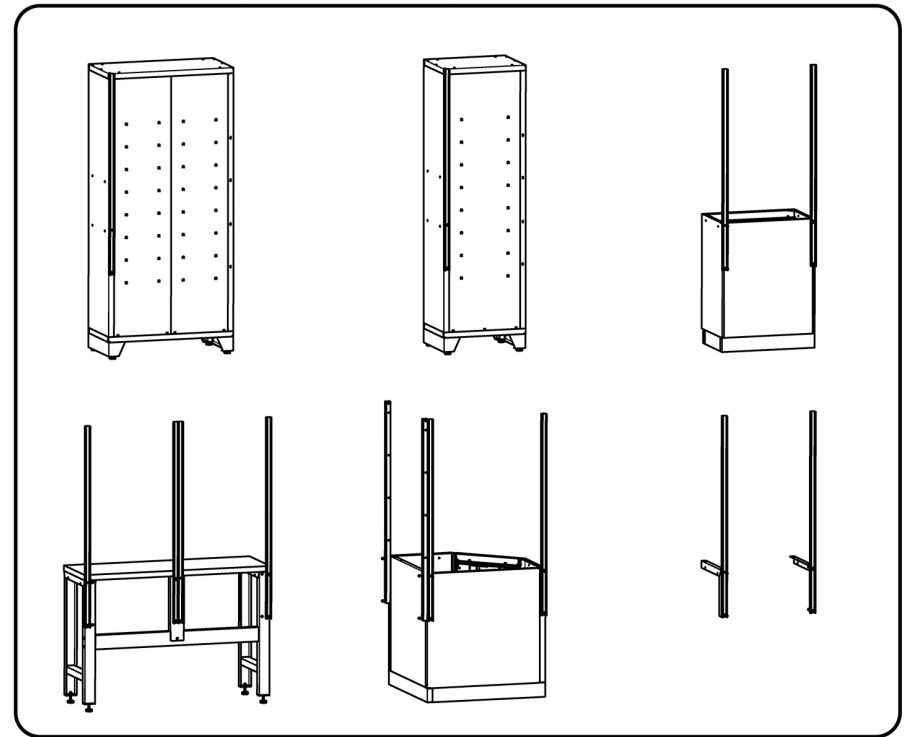
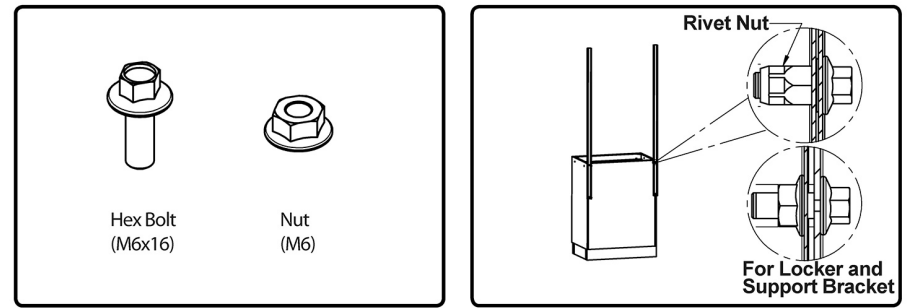
- Layouts shown are only examples. Based on customer's purchase, cabinets can be configured in a variety of different layouts.
- Consider the location of electrical outlets when planning layout.



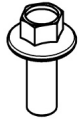
Installing leveling feet



Installing pillars



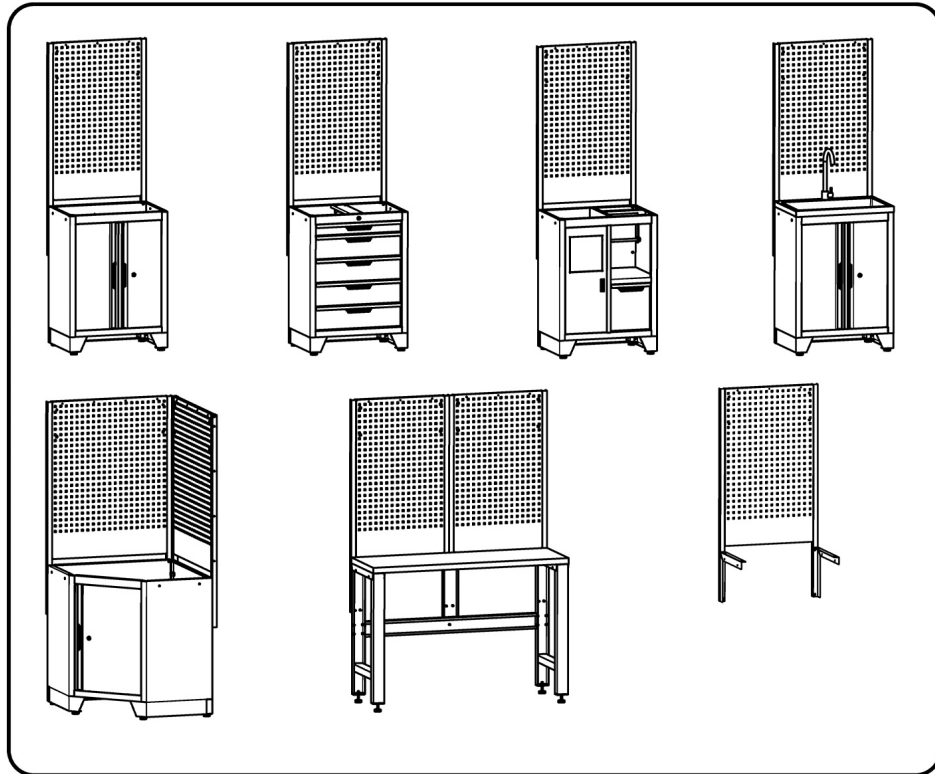
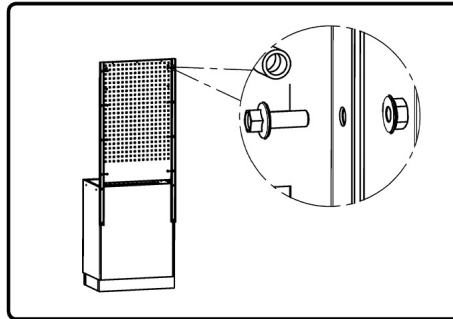
INSTALLING HANGING PANELS



Hex Bolt
(M6x16)



Nut
(M6)



ATTACHING CABINETS TOGETHER

Position and secure remaining cabinets to wall. Install cabinets one at a time. Please adjust the leveling feet to ensure it is even to the ground

i Hardwares Needed.

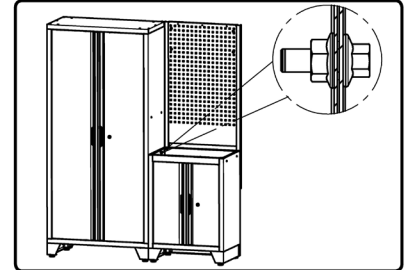


Hex Bolt
(M6x16)

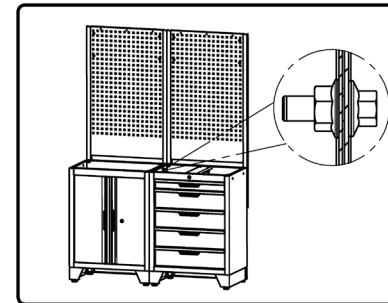


Nut
(M6)

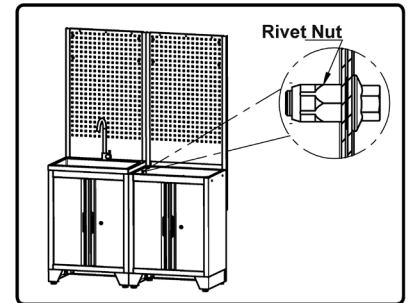
Attach Locker and Base Cabinet



Attach Drawer and Base Cabinets

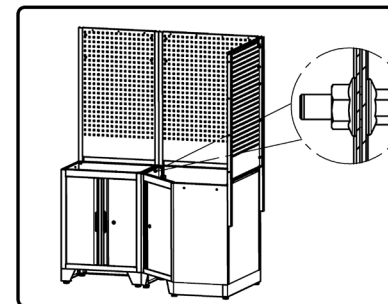


Attach Sink and Base Cabinets

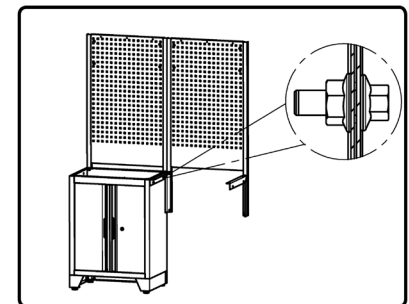


Rivet Nut

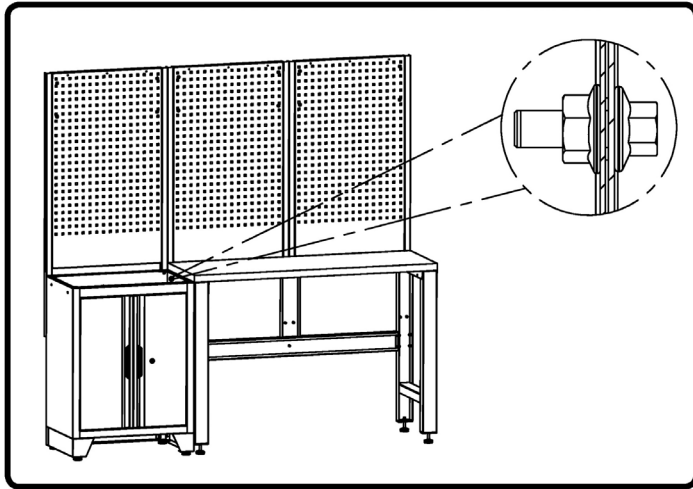
Attach Corner and Base Cabinets



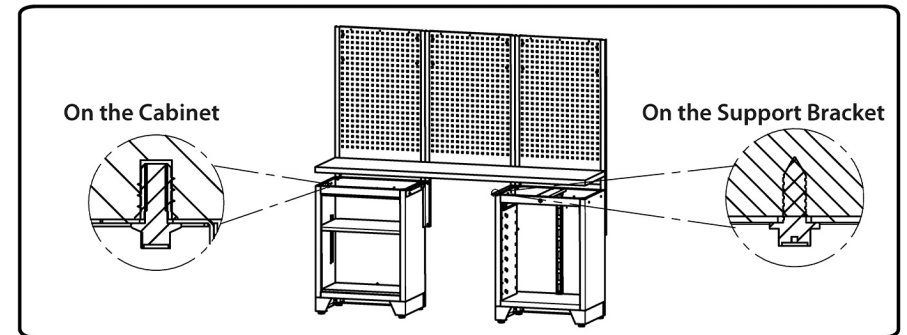
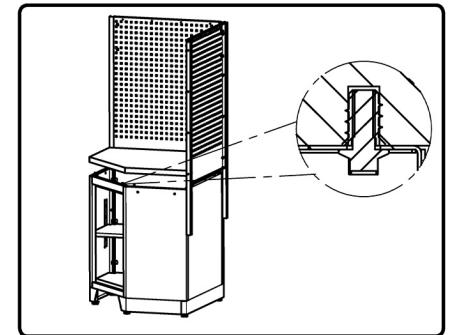
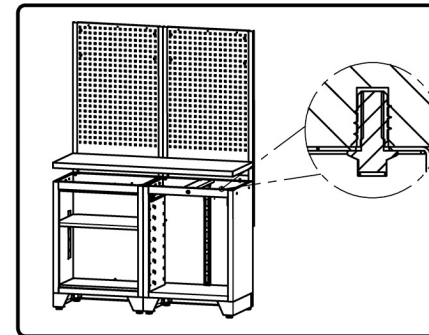
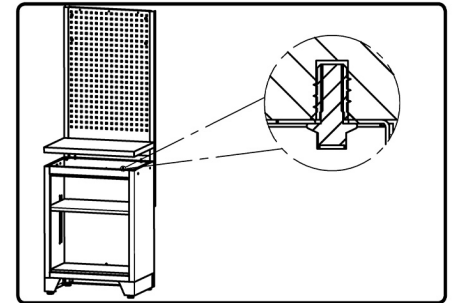
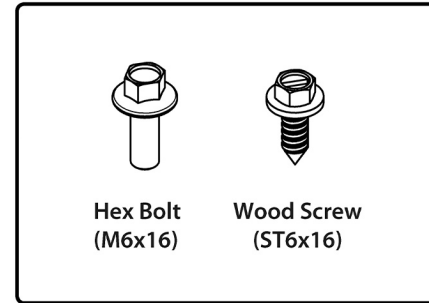
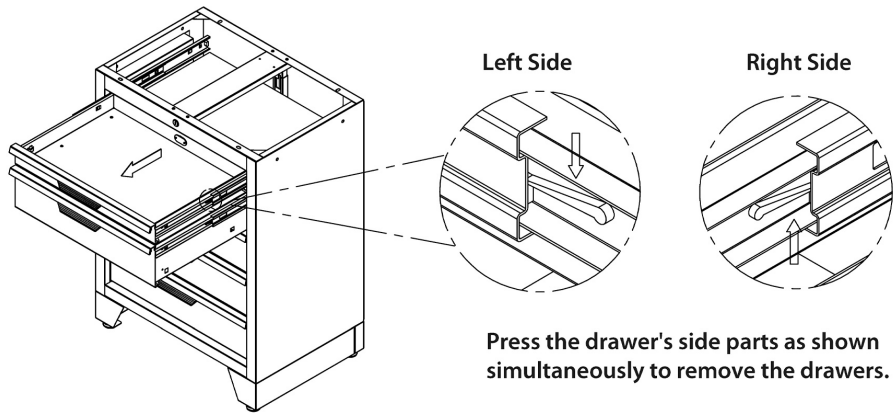
Attach Base Cabinet and Support Brackets



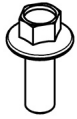
Attach Base Cabinet and Work Bench



REMOVING DRAWERS



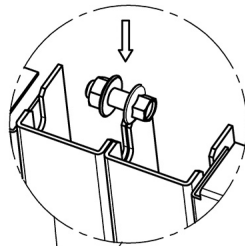
ATTACHING PILLARS TOGETHER



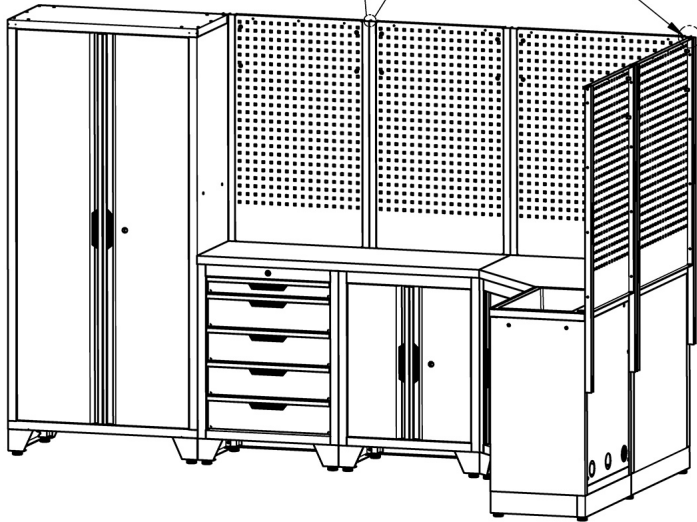
Hex Bolt
(M6x16)



Nut
(M6)



No need to fasten
in the corner.



INSTALLING WALL CABINET



Hex Bolt
(M8x16)



Washer
(D8)



Spring Washer
(D8)



Hex Bolt
(M6x16)

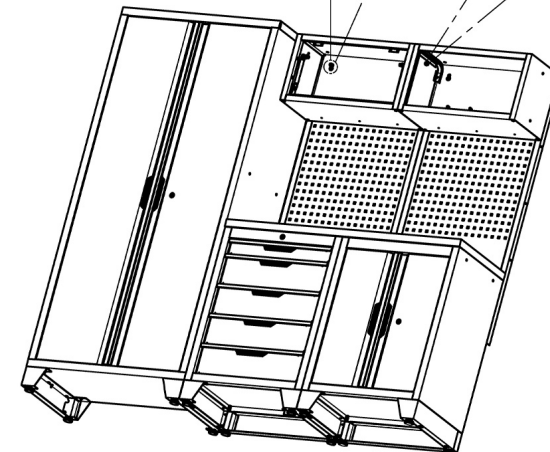
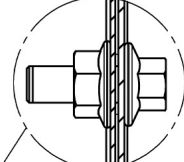
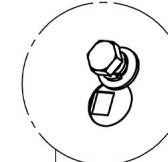


Nut
(M6)

Pre-assemble the Bolt
and washer on the Panel

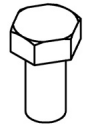


Hang on the Wall
Cabinet and fasten
the bolt.



NOTE: This step is for 3 types of wall cabinet.

INSTALLING THE CORNER WALL CABINET



Hex Bolt
(M8x16)



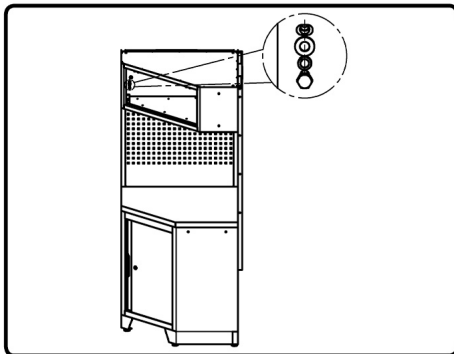
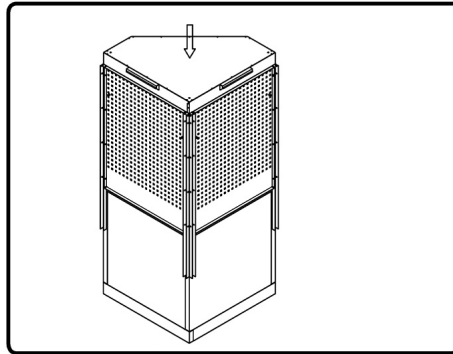
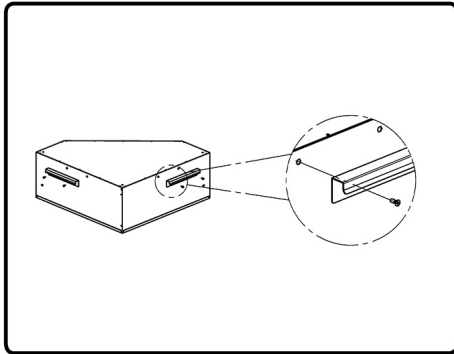
Washer
(D8)



Spring Washer
(D8)



Sunk Screw
(M6x16)



INSTALLING THE LED LIGHT (OPTIONAL ACCESSORY)

Stick the LED light to the bottom of the wall cabinet

